



Model PD 20 shown

Play Dent™

Model PD10 -without Cushioned Pad

Model PD20 - with *Cushioned Pad*

User Guide

Optional 24” section (G80-24) available for larger areas

KidCo, Inc

Important Notes

FOLLOW THESE INSTRUCTIONS CAREFULLY AND KEEP THEM FOR FUTURE REFERENCE

This PlayDen™ is designed for children from 6 months to 36 months. Since each child's skills develop at different ages, these age parameters should be monitored against your own child's development.

Before attempting to unfold the PlayDen™, read Instructions thoroughly. Failure to do so may result in damage to the PlayDen™ or injury to your child.

Your PlayDen™ is completely assembled and folded compactly and must be unfolded in sequence.

Unpack your PlayDen™ onto a stable surface.

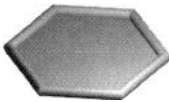
A WARNING

- Intended for use with children from 6 months through 36 months.
- To prevent serious injury or death, securely install gate or enclosure and use according to manufacturer's instructions.
- Never use with a child able to climb over or dislodge/open the gate or enclosure.
- Do not use if gate is $\frac{3}{4}$ of child's height.
- Do not use if any part of the PlayDen™ is broken or missing.
- When folded, store away from children.
- This product will not necessarily prevent all accidents. Never leave child unattended.
- Use only approved spare parts available from KidCo.
- Use only with the locking/latching mechanism securely engaged.
- Never allow child to climb or swing on the PlayDen™ or walk through gate section.

Contents

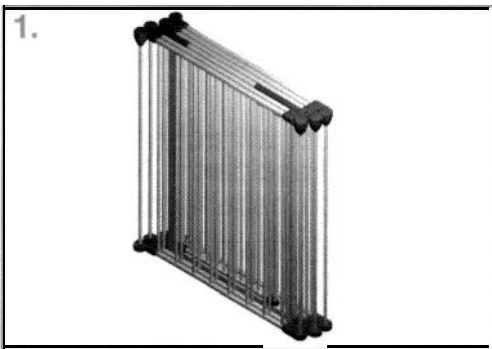


Standard PlayDen™ has 6 24" sections including a walk through door.

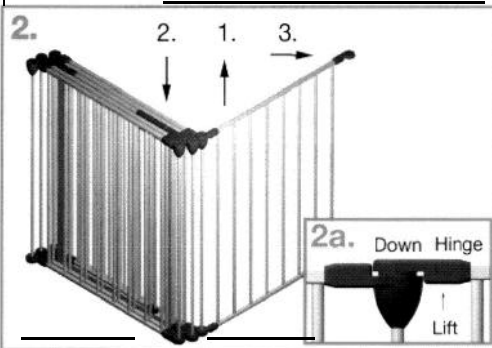


Cushioned Pad - Included only with Model PD20. Fits 6 section hexagon shape only.

Unpacking



Unpack your folded PlayDen™ on a stable surface, making sure handle is on top. Each corner is connected by plastic, interlocking hinges.



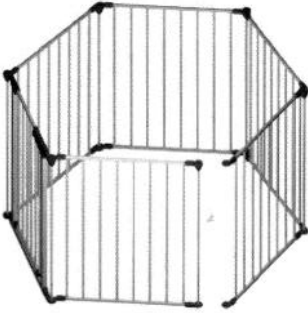
How to adjust the sections:

A spring is fitted in all cones that deliberately creates tension when adjusting. At corner, lift slightly on section with hinge teeth facing down (1) while gently pressing down on connected section (2). Rotate sections to the desired position (3). Release to lock into place.

Note: Each hinge adjusts from 0" to 270" in 10" increments.

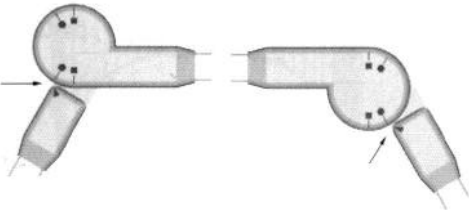
Assembly

3.



Position PlayDen™ in the desired shape by adjusting as shown in ill. 2 and 2a.

4.



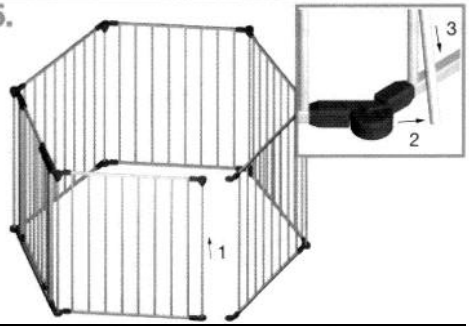
There are marks on hinge tops that make it easier to shape PlayDen™ in a hexagon or square.

Turn sections to align appropriate marks with arrow on opposite hinge.

It may be necessary to add a section/s to the PlayDen™ to fit your application. If adding sections see steps 12 to 15.

If making no changes, see steps 5 to 7.

5.



To connect end sections

At the juncture of every section is a removable, vertical bar.

To remove vertical bar, lift up on bar (5.1) while sliding it out of lower hinge groove (5.2). Pull bar down and out of cone (5.3).

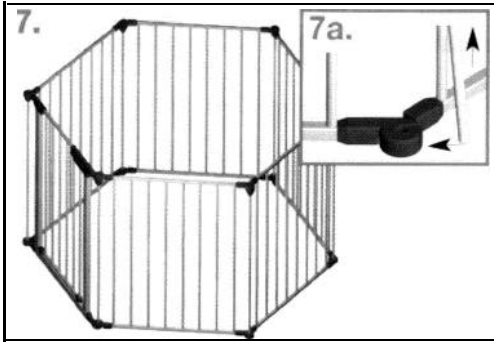
6.



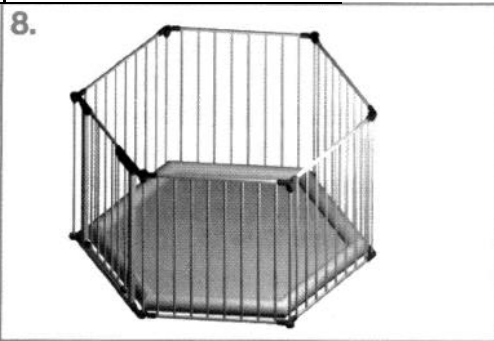
Align end section with cone hinge underneath end section with top hinge.

When center of both hinges are aligned, top and bottom, release and they will lock together.

Assembly



Reinstall removable vertical bar by pressing it into upper hinge cone, while sliding bar into the groove of lower hinge (7a). Spring in cone will make bar lock in place.

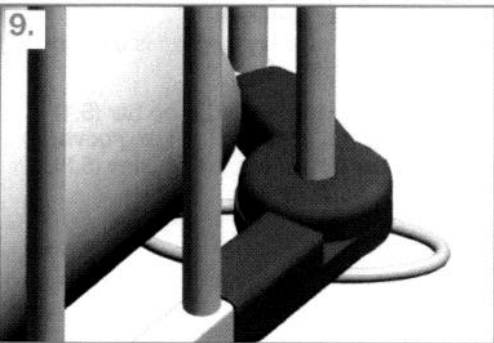


Fitting the cushioned pad:

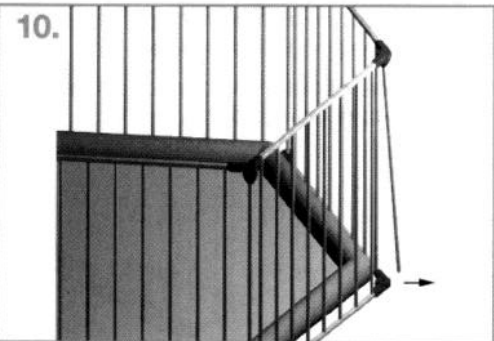
Included with Model PD20.

Fits 6 section hexagon shape only.

Place cushioned pad in PlayDen™, pattern side up.



Pass elastic on each corner under corresponding corner on PlayDen™.



Slide removable, vertical bar out of hinge (ill. 5).

Assembly

11.



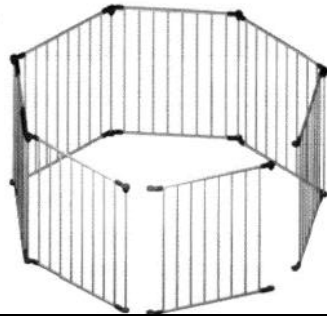
Pass elastic around hinge toward center of PlayDen™.

Hold elastic while sliding vertical bar back into place.

Repeat for remaining 5 corners.

Attach each set of 6 ties to PlayDen™ base.

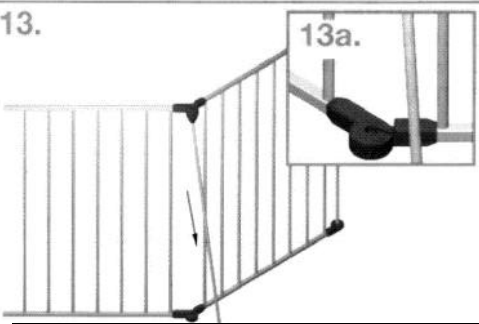
12.



Adding section/s:

Optional 24" section (model G80-24) may be used to enlarge the PlayDen™ area and may be added anywhere in the configuration. If adding more than one section, install in continuation of first optional section.

13.



At the juncture of every section is a removable, vertical bar.

To remove vertical bar, lift up on bar while sliding it out of lower hinge groove. Pull bar down and out of cone (13a).

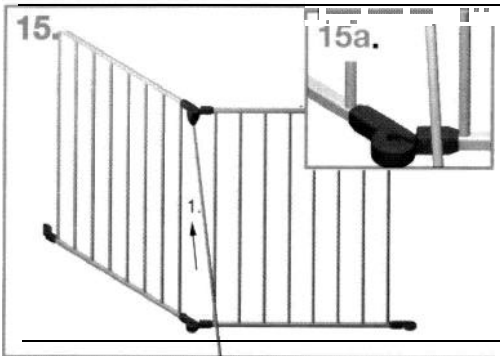
14.



Position optional section with cone hinge at top. Align cone hinge underneath top hinge on original end section.

When center of both hinges are aligned top and bottom, release and they will lock together.

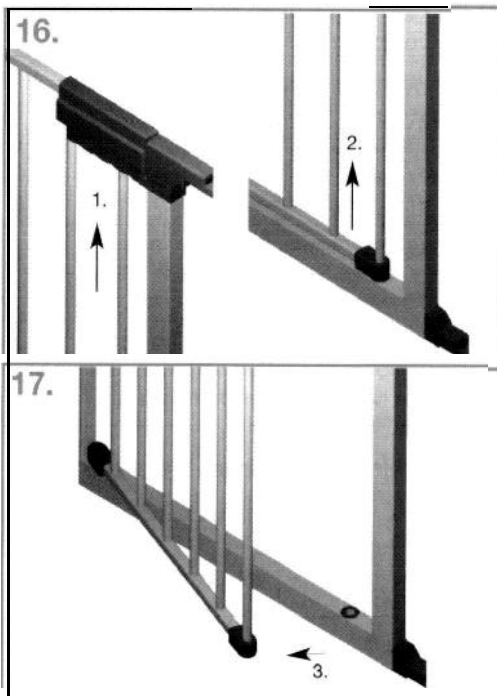
Assembly



Reinstall removable, vertical bar. Insert bar by pressing it into upper hinge cone while sliding bar into groove of lower hinge. The spring in cone will make the bar lock in place.

Fit end section in the same way.

Operation



Opening the walk through door:

Squeeze handle up as much as possible (1). Locking bar should release from bottom frame (2).

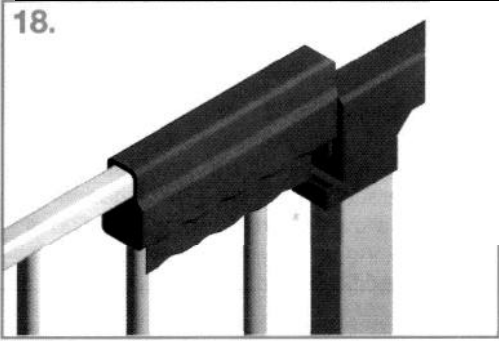
Door can now swing open in either direction. Door will only swing outward if cushioned pad is used,

Closing and locking walk through door:

While closing door, squeeze handle up as much as possible (16.1) and align bottom of door with frame (16.2). Release handle and door should lock.

Operation

18.



Door will be properly locked when handle hook and bottom locking bar have engaged, Test to ensure door is locked.

PlayDen™ Care

- No part of the PlayDen™ requires lubrication.
- Clean PlayDen™ using warm, soapy water or a damp cloth.
- Do not use abrasive cleaners or bleach on PlayDen™ or pad fabric.
- Fabric may be washed on gentle cycle in warm water and air dried. **Never tumble dry.**
- If using out doors, and to help prevent rust, treat all exposed metal on the PlayDen™ with a rust inhibitor. Some rusting may still occur.

KIDCO LIMITED WARRANTY

Your KidCo product is warranted to be free from manufacturing defects for a period of one year from date of purchase under normal use and in compliance with the operating instructions. This warranty extends only to the original retail purchaser and is only valid when supplied with proof of purchase.

KidCo will either repair, or at our option replace, free of charge, any parts necessary to correct defects in material or workmanship during the warranty period. This warranty is complete and exclusive. The warranty expressly disclaims liability for incidental, special and consequential damages of any nature. Any implied warranty arising by operation of law shall be limited in operation to the terms of this warranty. Some states do not allow the exclusion or limitation of incidental or consequential damages or limitations on how long an implied warranty lasts, so the above may not apply to you. This warranty gives you specific legal rights, and you may have other rights which vary from state to state.

SHOULD REPAIR OR PARTS BE NECESSARY

Should a repair be needed during the warranty period, ship the gate in the original carton or similar protective container (check any retail store or purchase from UPS) and send freight prepaid (**we suggest UPS**) to: **KidCo, Inc., 1013 Technology Way, Libertyville, IL 60048.**

Include a note with your return address, day-time telephone number, and specify what is wrong with the product. Repairs can normally be made within 48 hours after receipt at KidCo. For additional information CALL our customer service department at (800) 553-5529.